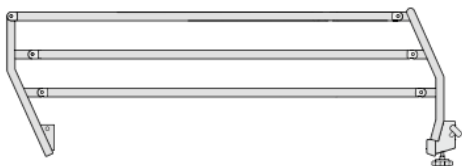
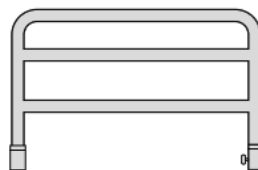


Technical Manual

Medical beds accessories



3/4 Metal rails



Footboard bed rails



Half rails



Wooden rails (full length)

TABLE OF CONTENTS

TRANSPORT AND STORAGE.....	- 3 -
ASSEMBLY CONDITIONS.....	- 3 -
¾ metal side rails.....	- 3 -
Fixed footboard bed rail.....	- 4 -
Telescopic aluminium barriers.....	- 5 -
Wooden barriers.....	- 6 -
SETTING UP THE SIDE RAILS.....	- 7 -
Assembling of the ¾ metal side rails A637-00 / A638-00 / A639-00 / A640-00.....	- 7 -
Assembling of the ¾ metal side rails A641-00 / A642-00 / A643-00 / A644-00.....	- 8 -
Assembling and installing the A671-00 / A672-00 fixed footboard barriers.....	- 8 -
Assembling and installing the A682-00 / A683-00 fixed footboard rails (compatible with bed extension).....	- 9 -
Assembly of telescopic barriers.....	- 11 -
Assembly of wooden barriers for junior bed A680-00 and adult beds A579-A580-00 and A581-00-.....	- 11 -
-.....	-
SPECIFIC PRECAUTIONS FOR USE.....	- 15 -
Wooden barriers.....	- 15 -
¾ metal side rails, telescopic aluminium barriers and fixed footboard rails.....	- 15 -
MAINTENANCE CONDITIONS.....	- 15 -
Identification.....	- 15 -
Upkeep.....	- 15 -
Cleaning.....	- 15 -
Disinfection.....	- 15 -
SPARE PARTS.....	- 17 -

TRANSPORT AND STORAGE

During transport, the side rails must be strapped and protected by plastic packaging.

Warning:

- Stacking packages on the side rails is strictly prohibited.
- Stacking packages weighing over 60 kg/m² is strictly prohibited, irrespective of their position.

ASSEMBLY CONDITIONS**¾ METAL SIDE RAILS**

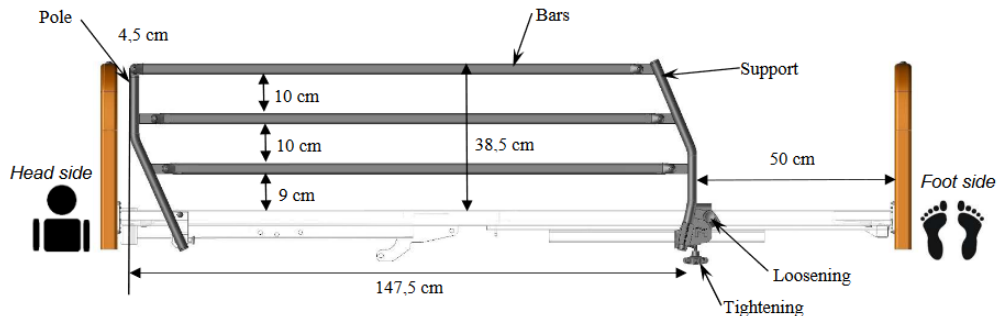
Only WINNCARE France medical beds listed below are compatible with metal side rails:

Bed reference	Side rails reference	Bed reference	Side rails reference
CSI80	A641-00/A642-00 A643-00/A644-00	IML1L	A641-00/A642-00 A643-00/A644-00
HDI100	A641-00/A642-00 A643-00/A644-00	IML2L / ML2	A637-00/A638-00 A639-00/A640-00
HDI102	A641-00/A642-00 A643-00/A644-00	IAL1 to IAL4	A641-00/A642-00 A643-00/A644-00
HDI111	A641-00/A642-00 A643-00/A644-00	IAL5L / AL5	A637-00/A638-00 A639-00/A640-00
HMI113	A641-00/A642-00 A643-00/A644-00	IXN1L / XN1	A637-00/A638-00 A639-00/A640-00
I101L	A641-00/A642-00 A643-00/A644-00	IXO1 to IXO2	A641-00/A642-00 A643-00/A644-00
I103L	A641-00/A642-00 A643-00/A644-00	IXO3L / XO3 IXO4L / XO4	A637-00/A638-00 A639-00/A640-00
I110L	A641-00/A642-00 A643-00/A644-00	IXX1 to IXX2	A641-00/A642-00 A643-00/A644-00
I111L	A641-00/A642-00 A643-00/A644-00	IXX3L	A637-00/A638-00 A639-00/A640-00
I112L	A641-00/A642-00 A643-00/A644-00	IXL1 to IXL3	A641-00/A642-00 A643-00/A644-00
I83 / I85	A641-00/A642-00 A643-00/A644-00	IXL4L	A637-00/A638-00 A639-00/A640-00
I73D	A641-00/A642-00 A643-00/A644-00	IAE1L	A641-00/A642-00 A643-00/A644-00
I76 / I77 / I79	A641-00/A642-00 A643-00/A644-00	AE2 to AE3	A637-00/A638-00 A639-00/A640-00
I120	A641-00/A642-00 A643-00/A644-00	AF1 to AF2	A637-00/A638-00 A639-00/A640-00
I140	A641-00/A642-00 A643-00/A644-00	AG1	A637-00/A638-00 A639-00/A640-00
I160	A641-00/A642-00 A643-00/A644-00	AH1	A637-00/A638-00 A639-00/A640-00
IXS1 to IXS3	A641-00/A642-00 A643-00/A644-00	IMS1 to IMS2	A641-00/A642-00 A643-00/A644-00

WINNCARE France

IEX1 to IEX4	A641-00/A642-00 A643-00/A644-00	MS3 to MS4	A637-00/A638-00 A639-00/A640-00
IEX5L	A637-00/A638-00 A639-00/A640-00	IAX1L / AX1	A637-00/A638-00 A639-00/A640-00
IXP1 to IXP3	A641-00/A642-00 A643-00/A644-00	IXA1L / XA1	A637-00/A638-00 A639-00/A640-00
IXP4L	A637-00/A638-00 A639-00/A640-00	IXB1L / XB1	A637-00/A638-00 A639-00/A640-00
IDO1 to IDO4	A641-00/A642-00 A643-00/A644-00	IDO5 to DO8	A637-00/A638-00 A639-00/A640-00

The metal side rails are intended to be used on 2000 mm long WINNCARE France medical beds with a square tube frame of no more than 40 mm.



FIXED FOOTBOARD BED RAIL

Fixed footboard bed rails should always be combined with A637-00 or A638-00 rails and a bed board distributed by WINNCARE France.

Bed compatible with the fixed footboard bed rail:

Bed code number	Reference number of the fixed footboard rail	Reference for bed extension compatibility
XN...	A671-00/A672-00	A682-00/A683-00
XO...	A671-00/A672-00	A682-00/A683-00
XH...	A671-00/A672-00	A682-00/A683-00
AL...	A671-00/A672-00	-
MS... / ML...	A671-00/A672-00	A682-00/A683-00
AE...	A671-00/A672-00	A682-00/A683-00
AF...	A671-00/A672-00	A682-00/A683-00
AG...	A671-00/A672-00	A682-00/A683-00
AH...	A671-00/A672-00	A682-00/A683-00
AX...	A671-00/A672-00	A682-00/A683-00
XA...	A671-00/A672-00	A682-00/A683-00
AI...	A671-00/A672-00	A682-00/A683-00
XB...	A671-00/A672-00	A682-00/A683-00

Attention :

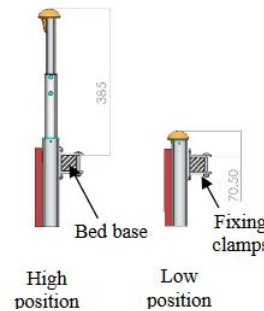
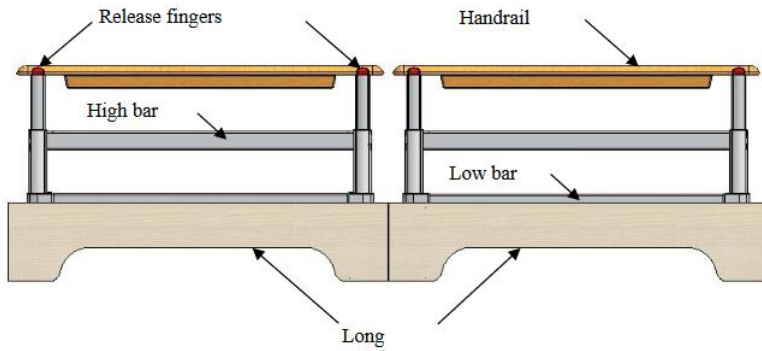
- The fixed rail is not compatible with DUO 140/160 medical beds or the KALIN medical bed.
- The fixed rail is not compatible with bed extensions, or CIC and WINNEA boards.



TELESCOPIC ALUMINIUM BARRIERS

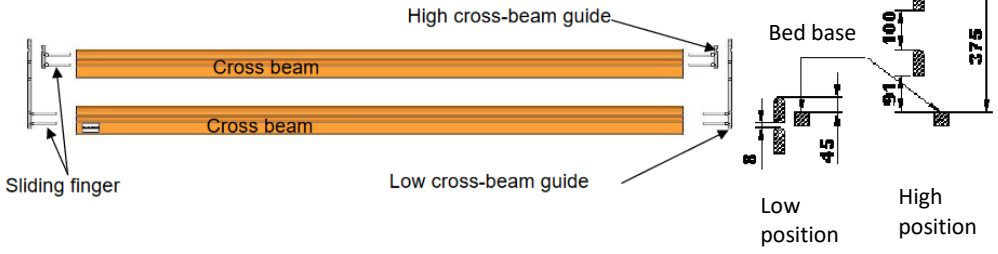
Always combine the rails with the bed in accordance with the table below:

Bed reference	Reference barriers	Bed reference	Reference barriers
XN...	A688-00 / A689-00	AF...	A688-00 / A689-00
XO...	A688-00 / A689-00	AX...	A688-00 / A689-00
XH...	A688-00 / A689-00	XA...	A688-00 / A689-00
MS...	A688-00 / A689-00	XB...	A688-00 / A689-00
AE...	A688-00 / A689-00	DO...	A688-00 / A689-00
AH...	A688-00 / A689-00	AG...	A688-00 / A689-00
AI...	A688-00 / A689-00		

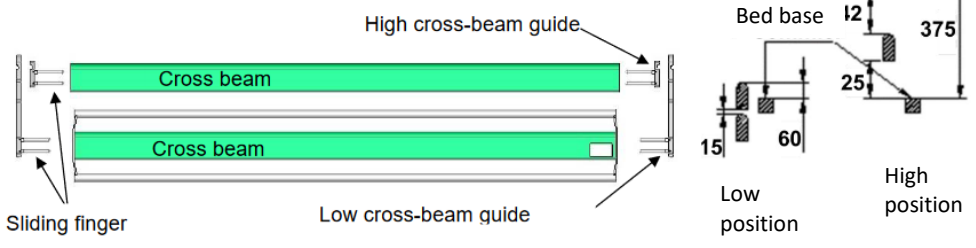


WOODEN BARRIERS

Adult bed : section 92x29 Lg 2012



Children bed : section 92x29 Lg 1712

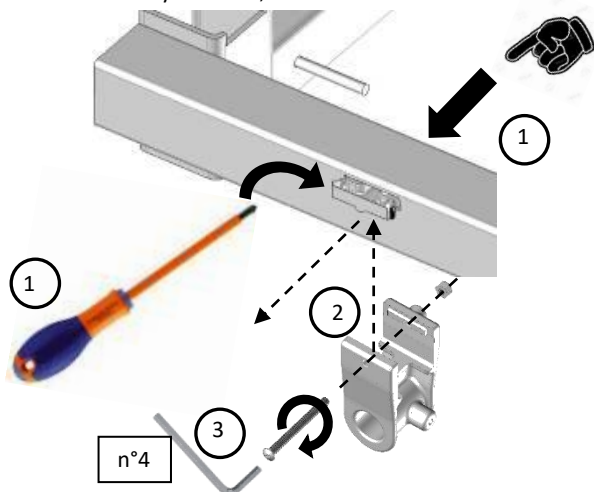


Warning: Be sure to check the position of the panels and the correct sliding of the barrier.

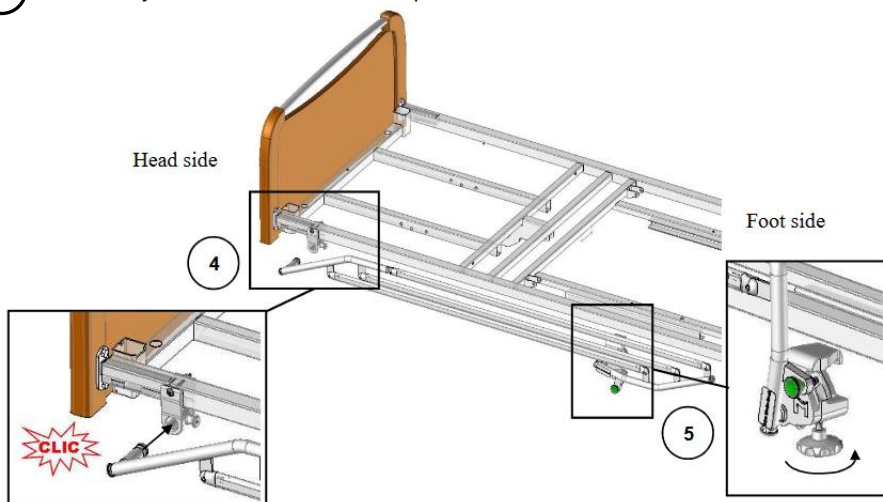
SETTING UP THE SIDE RAILS

ASSEMBLING OF THE ¾ METAL SIDE RAILS A637-00 / A638-00 / A639-00 / A640-00

Fixing jaw on the bed if it is not already installed, for this:



- 1 Remove the cap of the side rail by pushing inside or outside (depending on the assembly) then remove it with a screwdriver if necessary.
- 2 Clip the jaw in the slots provided for this purpose, by positioning the nut on the inner side of the bed.
- 3 Screw the jaw with the screw and nut provided with an Allen wrench n°4.

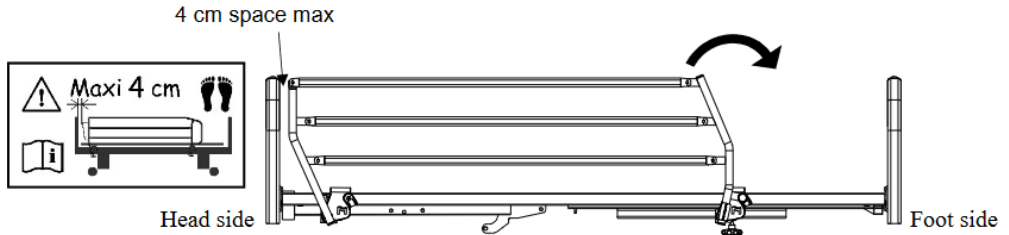


- 4 Insert pole of the side rail in the jaw on the head side fixed on the bed until to hear the « CLIC »,

5 Block the jaw on feet side through the clamping rondo and ensure its blocking.

To remove the side rail, loosen the rondo on the feet side **5** then disengage the pole without removing it by pulling the index finger on the side of the head side jaw **4**. Take the SAM with one hand at each end to remove it completely.

ASSEMBLING OF THE $\frac{3}{4}$ METAL SIDE RAILS A641-00 / A642-00 / A643-00 / A644-00



Block the two jaws through the clamping rondo and ensure its blocking.

ASSEMBLING AND INSTALLING THE A671-00 / A672-00 FIXED FOOTBOARD BARRIERS

Using a 13-mm socket wrench, remove the board mount and replace with the new part.

1



Attach the footboard of the bed.

2

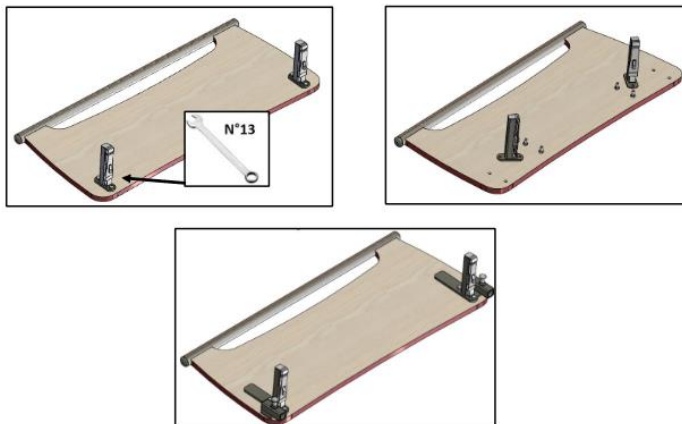


Attach the fixed footboard rail to the bed (see instructions for use).

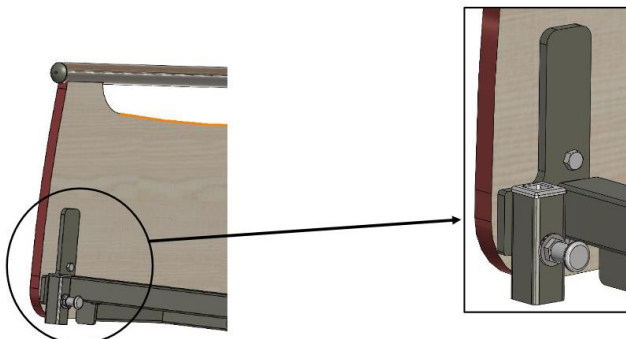
ASSEMBLING AND INSTALLING THE A682-00 / A683-00 FIXED FOOTBOARD RAILS (COMPATIBLE WITH BED EXTENSION)

Using a 13-mm socket wrench, remove the board mount and replace with the new part.

1

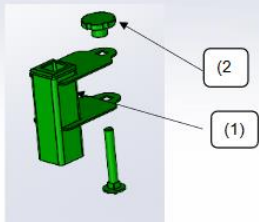
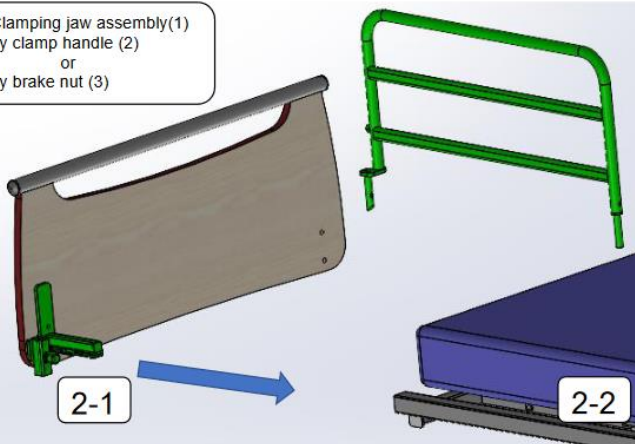


Attache the footboard of the bed.

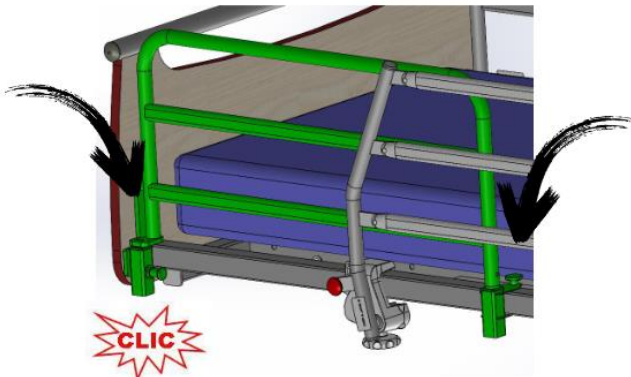
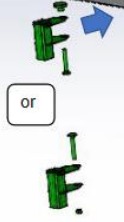
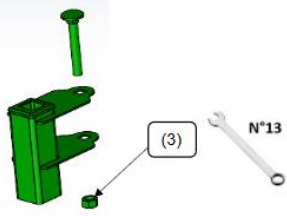


Attach the fixed footboard rail to the bed:

Clamping jaw assembly(1)
by clamp handle (2)
or
by brake nut (3)



or



➔ Footboard rails may be compatible with the use of a bed base extension.

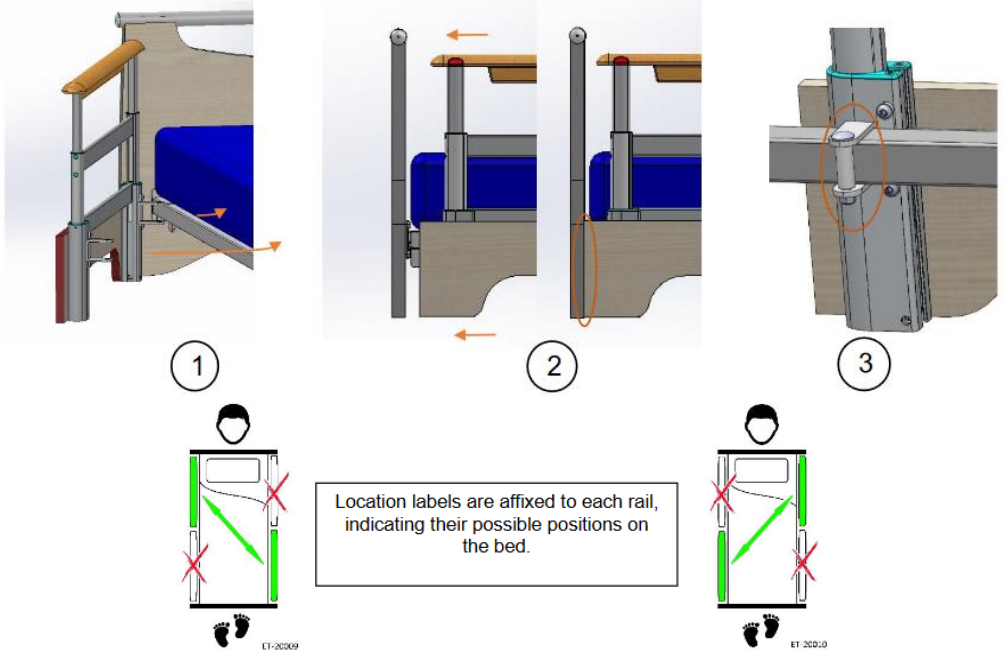
ASSEMBLY OF TELESCOPIC BARRIERS

WINNCARE France telescopic barriers are designed to be compatible with the panels provided for this purpose (Stylvia, Novida, etc.).

These must be combined with mattresses whose technical characteristics are indicated in the bed's instructions.

For assembly:

1. Insert the two clamps on the bed base, then insert the TRCC screws and spacers,
2. Shift the assembly towards the panel so that the long side of the barrier is in contact with it,
3. Secure the assembly by aiming the nuts at the TRCC screws.

**ASSEMBLY OF WOODEN BARRIERS FOR JUNIOR BED A680-00 AND ADULT BEDS A579-A580-00 AND A581-00**

WINNCARE France wooden barriers are designed to be used on all WINNCARE France medical beds that have panels with recesses needed for their assembly.

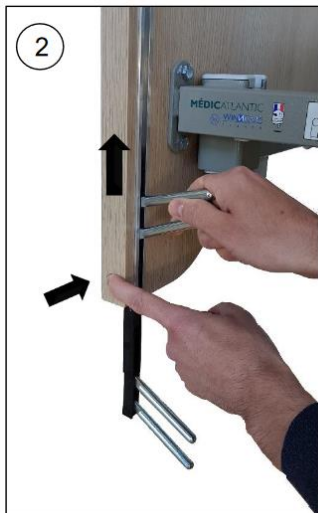
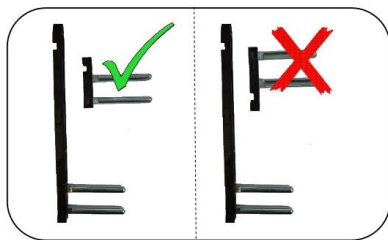
Warning: Incompatible side barriers can create hazards.

The wooden barriers are designed to be used on WINNCARE beds with a bed frame length of 1,700 mm for junior beds and 2,000 mm for adult beds that have panels with recesses needed for their assembly and that are not equipped with bed frame extensions.

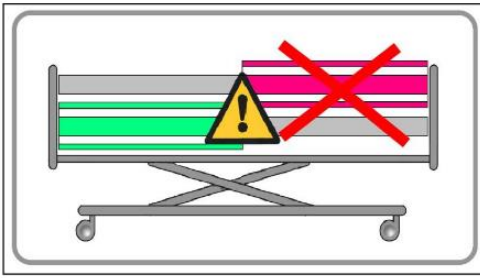

The barrier has been tested in accordance with the test method of standards NF EN 50637 and NF EN 60601-2-52. These barriers must be combined with mattresses whose technical characteristics are included in the bed's instructions for use.

To facilitate the installation of the barrier, **use the variable height of the bed up to a minimum height of 35 cm between the ground and the underside of the foot or head panel.**


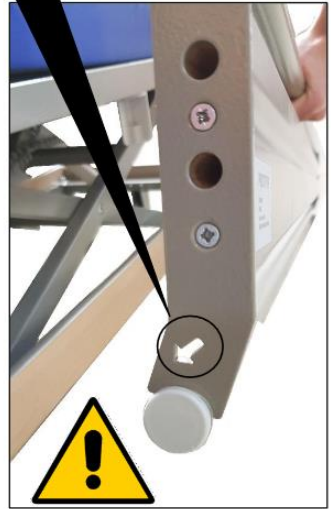
Warning: Make sure that the high crossbeam guide is engaged in the correct direction in the low crossbar guide.

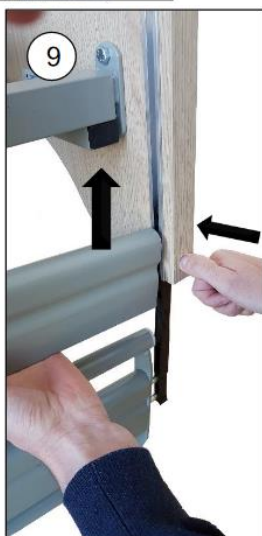
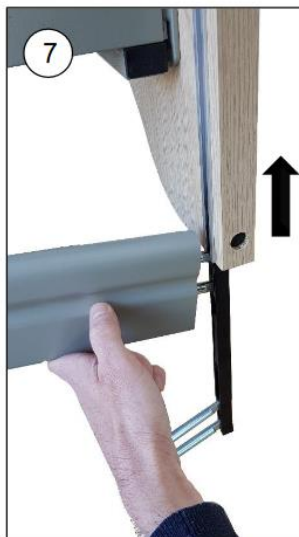


- ➔ The assembly is identical for all full-length wooden barriers and only the barrier of the A680-00 junior bed is composed of a low wood / metal cross member to respect the standard spacings.
- ➔ Respect the direction and the position of this element.

The element composed of the wood and metal bar is always placed in the lower part. The arrow down and to the inside of the bed



SPECIFIC PRECAUTIONS FOR USE

WOODEN BARRIERS

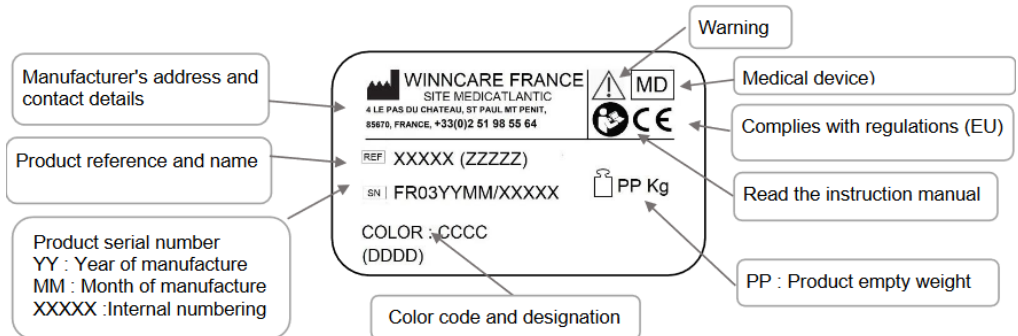
- Positioning the side rails A579-00 / A580-00 / A581-00 poorly may undermine safety and cause a malfunction. Side rails must not be used when patients are not adults or are ≤ 146 cm tall.
- Incorrect positioning of the A680-00 barriers can lead to safety hazards or malfunctions. These barriers are used for children with a height of between 125 cm and 145 cm for the « KALIN » junior medical bed.

¾ METAL SIDE RAILS, TELESCOPIC ALUMINIUM BARRIERS AND FIXED FOOTBOARD RAILS

- Positioning the side rails poorly may undermine safety and cause a malfunction. Side rails must not be used when patients are not adults or are ≤ 146 cm tall.

MAINTENANCE CONDITIONS

IDENTIFICATION



UPKEEP

A detailed examination must be carried out on the side rails at least once a year on such parts as:

- ¾ metal side rails: adjustment rondo screws, index pins, pins and rivets,
- Fixed footboard rails: tightening screws and locking bolts,
- Telescopic aluminium barriers and wooden barriers: crossbeam guides, crossbeams and unlocking fingers.

CLEANING

High pressure cleaning, machine cleaning, washing tunnel or jet cleaning is prohibited.

Clean the structure with soapy water and a soft cloth then rinse and wipe dry. All aggressive or scouring products such as detergents, powders, solvents, and bleach are prohibited.

DISINFECTION

- ¾ metal side rails, telescopic aluminium barriers, and wooden barriers

Use a disinfectant with bactericidal, fungicidal and virucidal properties, either by spraying it evenly onto surfaces, applying it with a disposable cloth or spraying a disinfectant aerosol.

Warning:

- Comply with the precautions for using disinfectants indicated on these products,

- Allow the disinfected product to dry and separate it from other non-disinfected products, indicating the date of disinfection.

- Fixed footboard rails

The fixed footboard rail is a non-critical appliance requiring “Low Level” disinfection.

We draw your attention to the fact that the recommendations below are drawn up according to the rules of good practice but are not a protocol. Contact the hospital hygiene department.

➤ OBJECTIVE

To recondition the rail and prevent the transmission of germs from one patient to another.

To eliminate all organic soiling by:

- Physical action (cleaning),
- Chemical action (disinfection).

➤ INDICATION

Physical and bacteriological cleanliness of the rails.

➤ EQUIPMENT

- Microfiber wipes.
- Detergent or Detergent-Disinfectant (Surface DD with CE mark) and surface Disinfectant (Chlorine substances, alcohol base < 30%).

Warning: undiluted DD products falling under the status of biocide pursuant to Regulation 528/2012 relating to the availability on the market and the use of biocide products and chloride bleach shall not be used pure. A remanence time must be applied according to the disinfectant manufacturer’s instructions (the drying time without human presence is often the same as the remanence time) (Refer to the instruction manual)

- SANIVAP steam appliance with accessories.

➤ TECHNIQUE

- Daily maintenance with a surface DD product in one operation.
- Maintenance when the patient leaves, or periodically, by the process known as Bio cleaning observing the 3 operations:
 - o Cleaning is done by means of a cloth soaked in a surface detergent or Detergent-Disinfectant (DD) solution,
 - o Rinsing is done with cloth rinsed in clean water,
 - o Disinfection is done by means of a cloth soaked in a surface disinfectant solution.
- Specific maintenance by specialist contractors after removal of the SAM from the establishment:
 - o Bio cleaning operation, or,
 - o Steam cleaning (accessory with microfiber band) of the flat surfaces and the base slats. Change the washing mops regularly to prevent water accumulating. Clean the parts that are difficult to access with a steam nozzle (wheels, hinges after opening, corners, etc.). For tubes, use the steam nozzle with a microfiber cloth. Never direct the nozzles onto electrical boxes or actuators.
 - o Dry hinges with compressed air
 - o Attention: Disinfect jacks, electrical boxes and remote controls with a microfiber cloth soaked in disinfectant.
- **Do not rinse or wipe.**
- Check the operation of all the barriers functions,

- Repair, if necessary.

Warning:

- In the event of additional precautions (Contact precautions, Droplets or Air), apply the measures recommended by the hospital hygiene department,
- The use of a Javel water solution of more than 5000ppm (0.5% of active chlorine) should be justified by a microbiological risk and only applied for the required time (Risk of ageing of some materials, especially their colour),
- The concentration of alcohol-based surface disinfectant solutions should be less than 30%.

Note: The use of the terminal disinfection process is compatible with the medical bed and its accessories.

- Isolate the fixed footboard rails in a disinfection room equipped with a particle filtering system and disposal for washing the floors and walls after disinfection,
- User a disinfectant with bactericidal, fungicidal and virucidal properties, either by spraying it evenly onto surfaces, applying it with a disposable cloth or spraying a disinfectant aerosol from a distance of 30 cm.

Warning:

- Comply with the precautions for using disinfectants indicated on these products,
- Leave to dry and protect the disinfected equipment from other equipment that has not been disinfected by a film and a label indicating the disinfection date.
- Product for external use only. Do not swallow. Store in a cool place and avoid contact with eyes.

SPARE PARTS

A list of spare parts is available from WINNCARE France after-sales service:

- Mail: sav@winncare.fr



WINNCARE France
4, Le Pas du Château
85670 SAINT-PAUL-MONT-PENIT
FRANCE



WINNCARE France
4, Le Pas du Château
85670 SAINT-PAUL-MONT-PENIT
FRANCE

Tél. : +33 (0)4.66.02.15.15
Fax. : +33 (0)4.66.02.15.00
Email: contact@winnicare.fr
www.winnicare.com

